

Add a touch of flair

uPVC French Doors



Continental flair

A stylish alternative to sliding patio doors or bi-folds, our French Doors are great for your home and garden, especially when size is more limiting.



Enjoy your garden throughout the year with a timeless classic that adds character to any home.

With a touch of continental flair, our hand finished French Doors offer fantastic security and unbeatable energy efficiency.

KEY DETAILS

Yale high security locking

Multi-chambered profiles

Energy efficient

Beautiful aesthetics

Superior weatherability

Add a splash of colour

To ensure the perfect match, all our uPVC doors and frames are available in a wide choice of colours.

Creating the look you want has never been easier.

1



Security shootbolts
Multipoint lock with added high security shootbolts supplied as standard.

2



Milled threshold
Exclusive milled frame-to-threshold jointing system eliminates moulded plastic end caps.

3



Co-ordinated hinges
Available in ten colours, our premium range of high-security door hinges offer a slimline design.

4



Door restrictors
Optional fitted restrictors avert damage by preventing opening past a set angle.





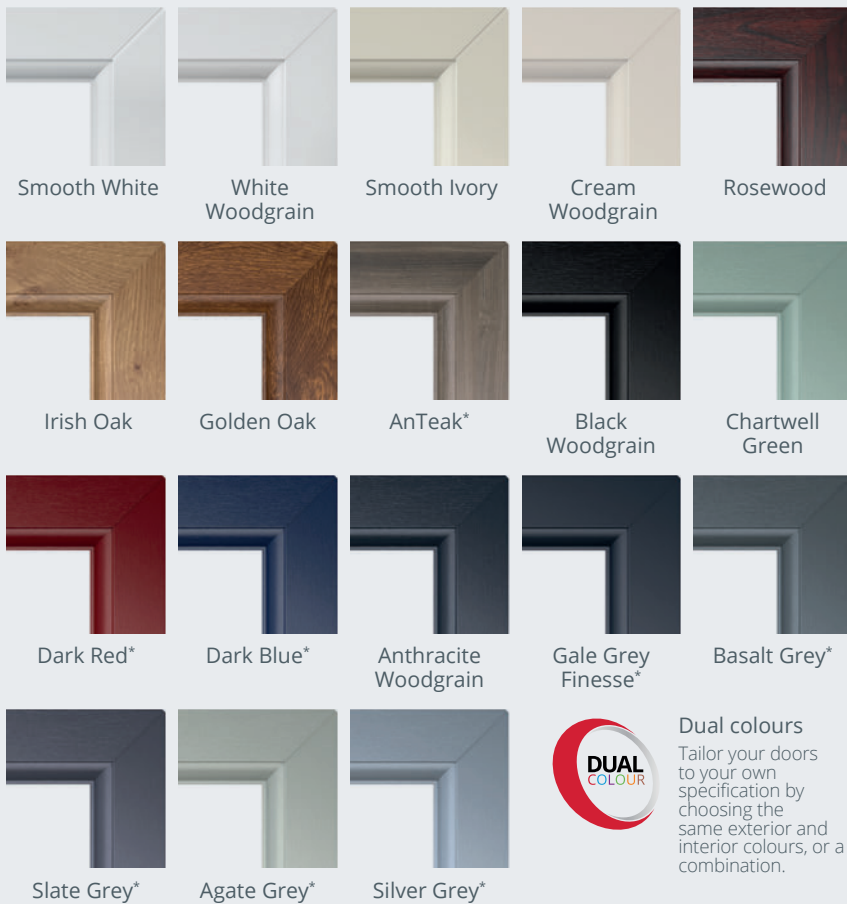
The most secure

Yale Lockmaster® multipoint door lock with additional high-security top and bottom shootbolts is supplied as standard.

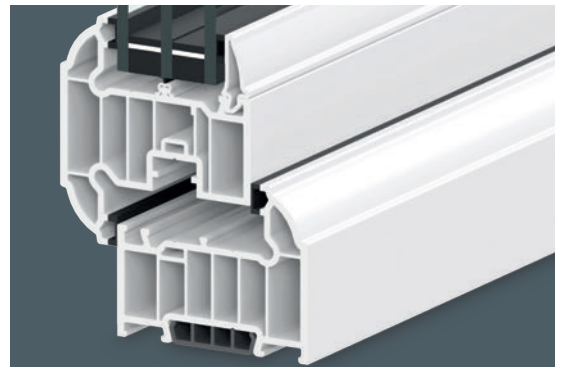


Weather? No problem

We test, test and test again against all types of weather to ensure your door will protect your home from the elements.



*Longer lead times required



Energy efficiency

Our residential doors come with the Liniar range of multi-chambered profiles as standard, achieving the highest possible BFRC Energy Ratings in the industry.

Tailored to you

Choose the colour and style of your accessories to match your door and personal preferences.



White



Black



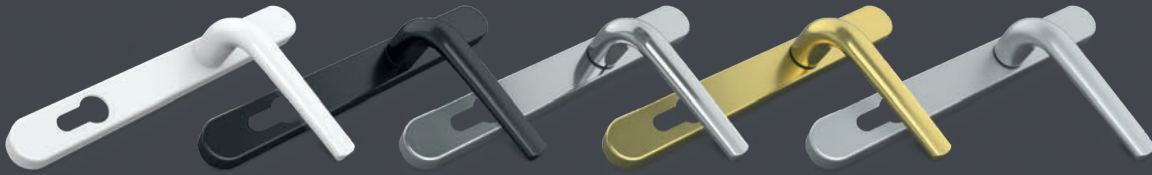
Chrome



Gold



Silver



Letterplates



Door knockers/spyholes



Victorian Urn
Available in 5 colours



Slim Victorian Urn
Available in 5 colours



Spyhole
Available in 3 colours



Security built in

All our composite doors come with a high-security multipoint locking mechanism as standard, providing your home with the protection it deserves.

Additional security

TS-007 3-star accredited cylinders are available as an optional extra with all of our door locks, proven to effectively combat against lock snapping and forced entry.



High security

Awarded the Police 'Secured by Design' accreditation, our multipoint locks have been rigorously tested to the very highest security standards.



British built

Production, testing and assembly of all our door locking systems, are carried out in the UK.



Intelligent locking

Intelligent, compact and robust locks, which work perfectly with the design of our doors.



10 year guarantee

The multipoint locking system comes with a 10 year guarantee as standard, providing complete peace of mind.



Pre-compression rollers

Ensures smooth operation and maximises weather proofing.



Anti-lift pins

Slots into the frame to prevent the door from being moved or lifted.



Centre latch and hook

A combined central latch and anti-separation hook create a solid and rigid locking point.



Claw hooks

Grips the door sash to the frame for extra strength and solidity.

